

FLOF  
4 PAGES

TELETEXT

MICRO  
TUNER

MAIN POWER

VIDEO

bus main  
bus data  
bus signal

FRAME

DEV FRAME

LINE

DEV LINE

AUDIO POWER

SOCKET  
DRIVER  
SCREEN

AUDIO POWER

SPEAKER  
MODEL

WARNING: INDICATES SAFETY CRITICAL COMPONENTS FOR CONTINUED SAFETY. REPLACE SAFETY CRITICAL COMPONENTS ONLY WITH MANUFACTURER RECOMMENDED PARTS.  
AVERTISSEMENT: INDIQUE LES COMPOSANTS CRITIQUES DE SECURITE POUR PERMETTRE LE RESUME DE SECURITE DE L'APPAREIL RECOMMENDE PAR LE FABRICANT.  
RECOMMENDE PAR LE FABRICANT.

VI MAIN & SOCKET SCHEMATIC DIAGRAM

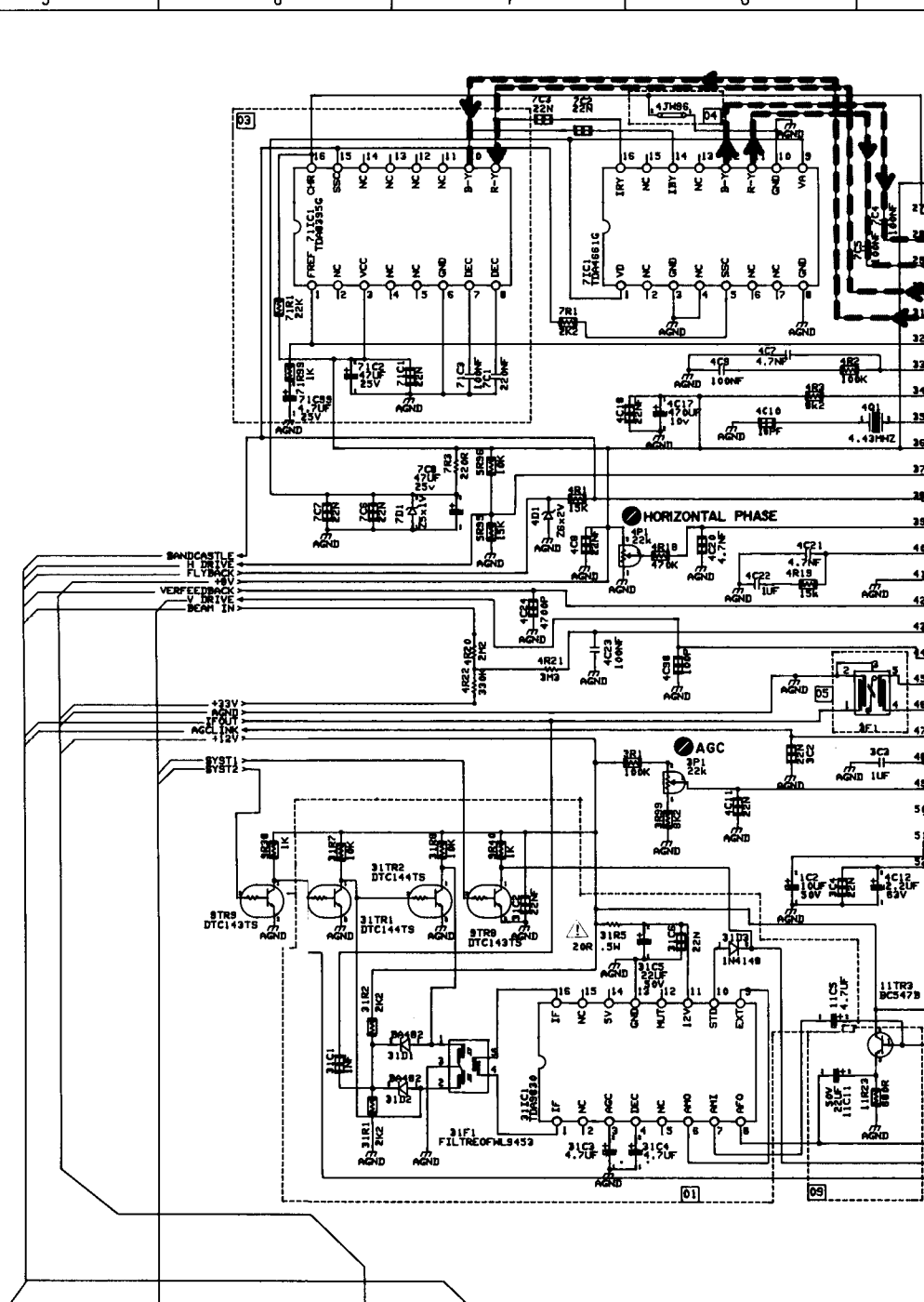
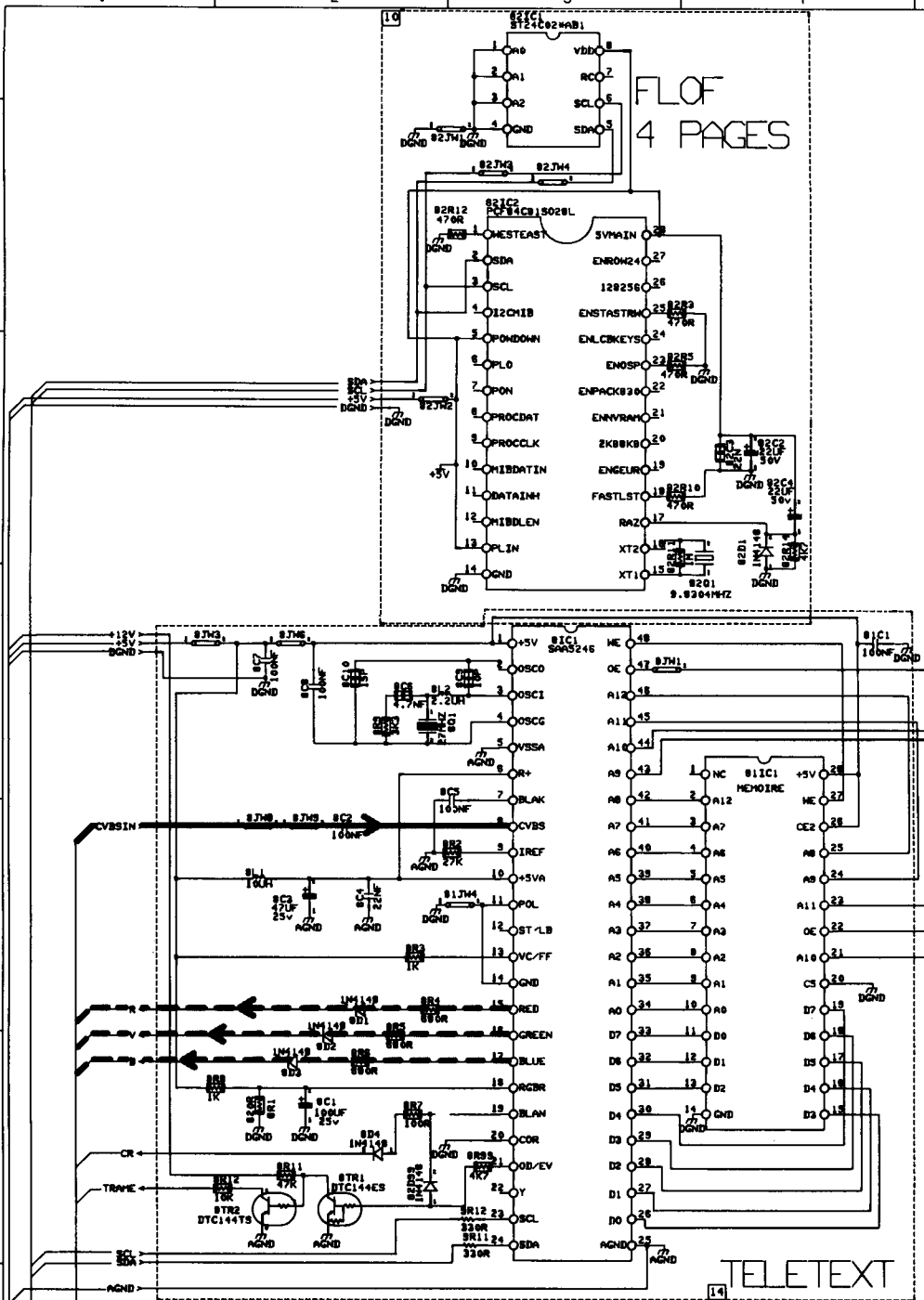
—— Video Signal Line  
- - - - RGB Signal Line

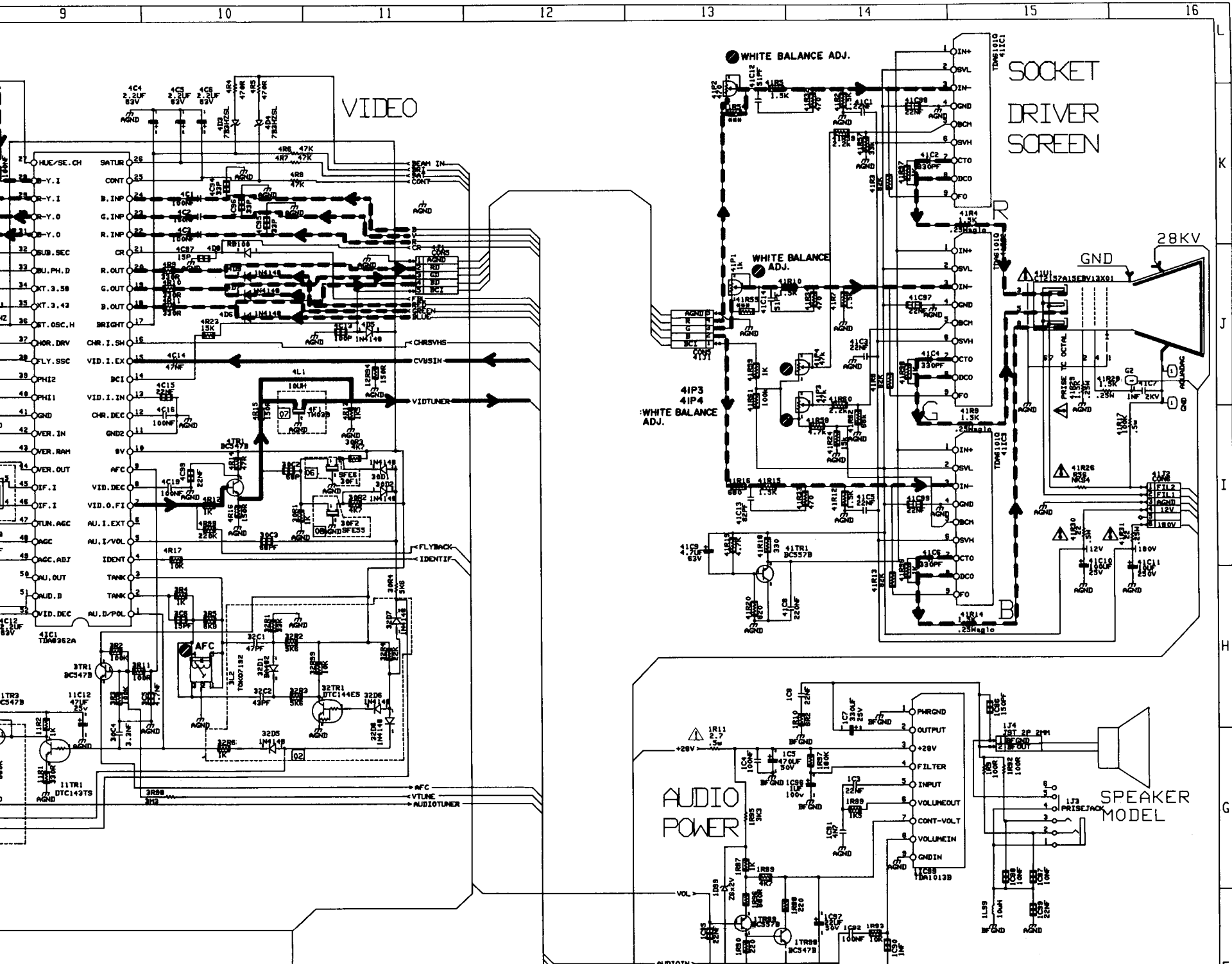
CT 2137 F/UKT  
CT 2157 D/DT/E/ET/F/P/PT/UKT  
CTV Schematic diagram  
N° QF 001 F 301

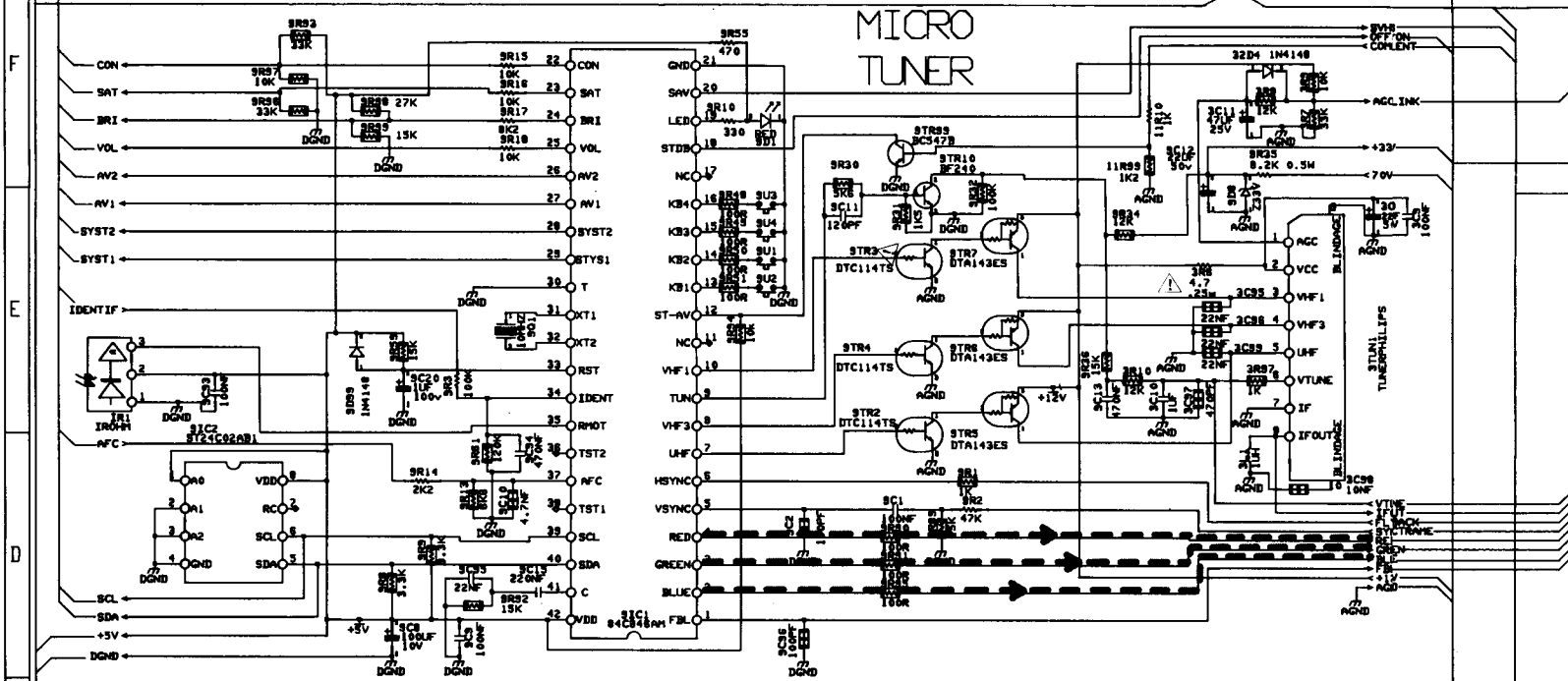
FLOP  
4 PAGES

TELETEXT

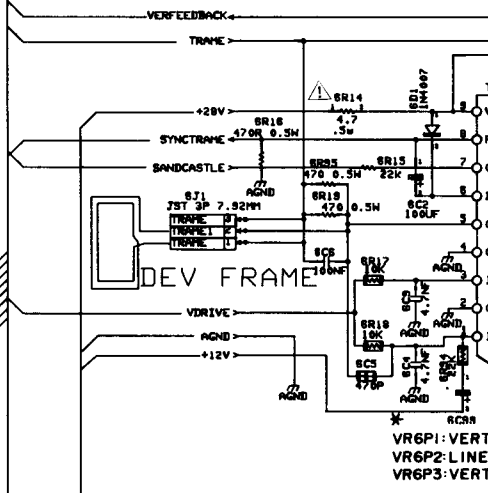
MICRO



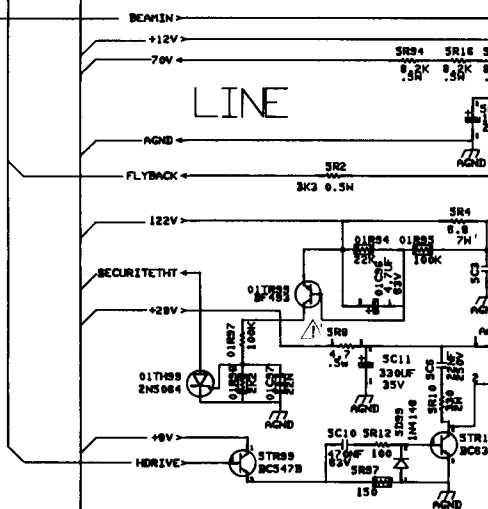
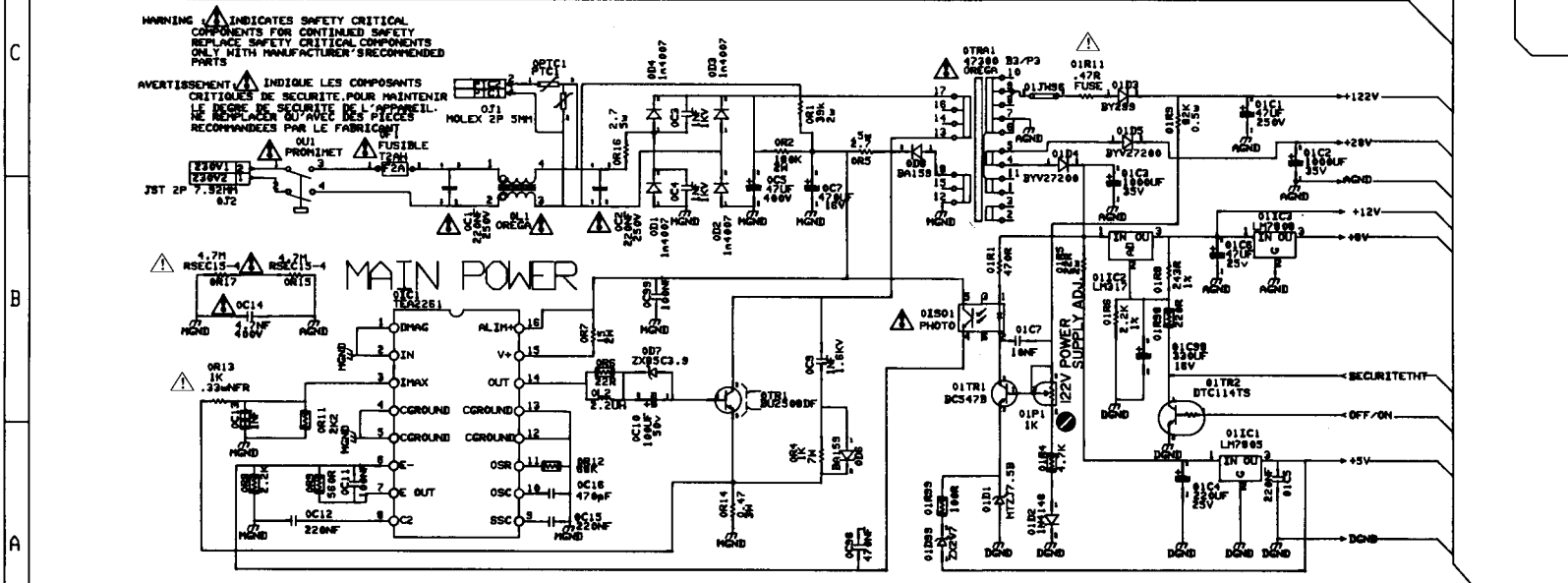




bus main  
bus data  
bus signal



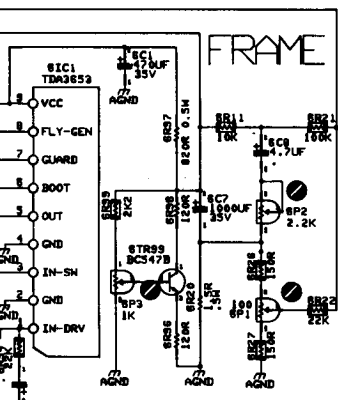
VR6P1: VERT  
VR6P2: LINE  
VR6P3: VERT



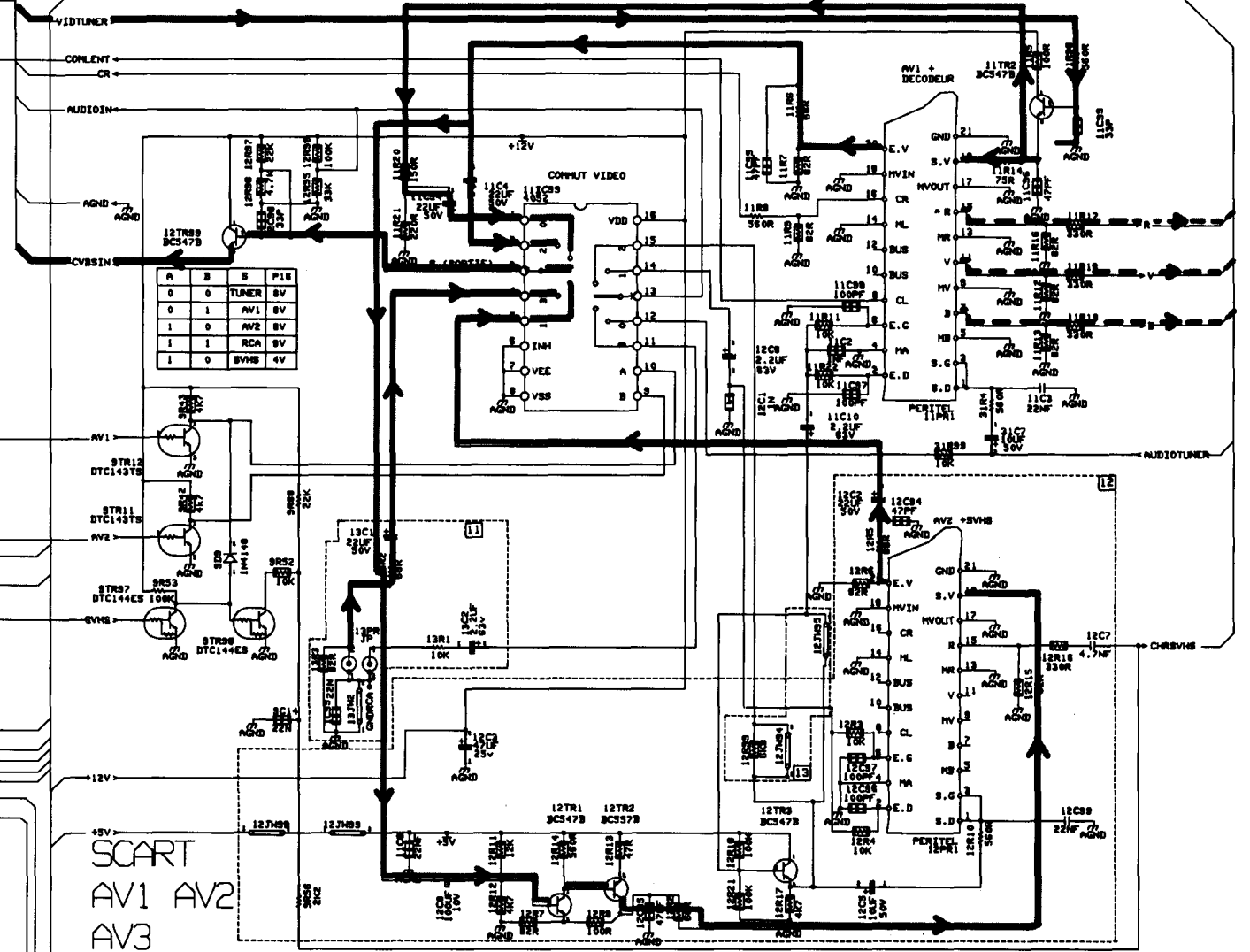
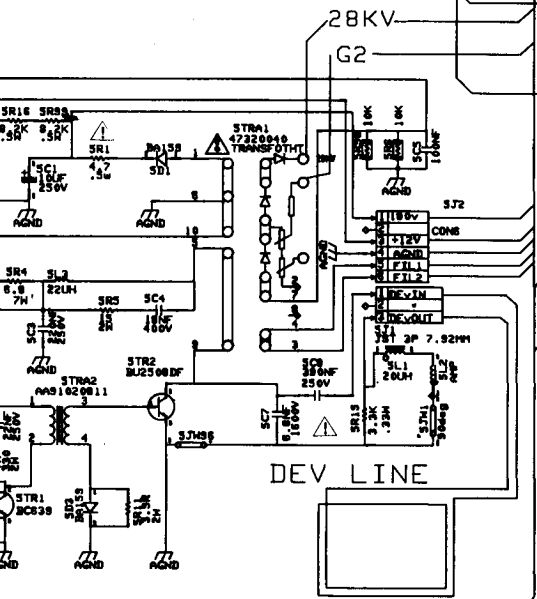
**WARNING** INDICATES SAFETY CRITICAL COMPONENTS FOR CONTINUED SAFETY. REPLACE SAFETY CRITICAL COMPONENTS ONLY WITH MANUFACTURER'S RECOMMENDED PARTS.

**AVERTISSEMENT** INDIQUE LES COMPOSANTS CRITIQUES DE SECURITE. POUR MAINTENIR LE DEGRE DE SECURITE DE L'APPAREIL, NE REMPLACEZ QU'AVEC DES PIECES RECOMMENDEES PAR LE FABRICANT.

OU  
PROHIBET  
FUSIBLE



VERTICAL SIZE ADJ.  
LINEARITY ADJ.  
VERTICAL PHASE ADJ.



VI MAIN & SOCKET SCHEMATIC DIAGRAM

— Video Signal Line  
- - - RGB Signal Line

CT 2137 F/UKT  
CT 2157 D/DT/E/ET/F/P/PT/UKT  
CTV Schematic diagram  
N° QF 001 F 301